

Breakout Cable

Description

Breakout cable is used to split 12-core MTP connector terminated on trunk cable into simplex or duplex connectors. MPO/MTP connector is connected with trunk cable, while simplex or duplex connector on the other side can provide a different fan-out length which is convenient for device connection.

Applications: internal frame cabling, MPO/MTP adapter panels



Characteristics

- High-precision MPO/MTP connector and simplex/duplex LC/SC
- Factory pre-termination, 100% tested to ensure the transmission performance
- Rapid configuration, reduce installation time
- Rapid upgrading, support parallel transmission
- Customized cable length and fan-out length
- Loose tube structure, OFNR, OFNP and LSZH materials are available for outer sheath

Complied Standards

Comply with TIA/EIA 604-5, IEC 61754 series, Telcodia GR-1435-CORE Issue 2, Telcodia GR-326-CORE Issue 4 standards.

Fire resistance comply with low smoking (IEC 61304), halogen free (IEC 60754-1), flame retardant (IEC 60332-3C), and corrosion proof (IEC 60754-2)

Breakout Cable

Mechanical Performance

Fibre Count	Bending Radius (mm)		Temperature(°C)			Package
	Static	Dynamic	Operation	Installation	Storage	
2	10D	20D	-20~+60	-5~+50	-25~+70	PE bag for L < 50m, Reel packaging for L ≥ 50m
4	10D	20D	-20~+60	-5~+50	-25~+70	
6	10D	20D	-20~+60	-5~+50	-25~+70	
8	10D	20D	-20~+60	-5~+50	-25~+70	
12	10D	20D	-20~+60	-5~+50	-25~+70	
24	10D	20D	-20~+60	-5~+50	-25~+70	

Connector Performance

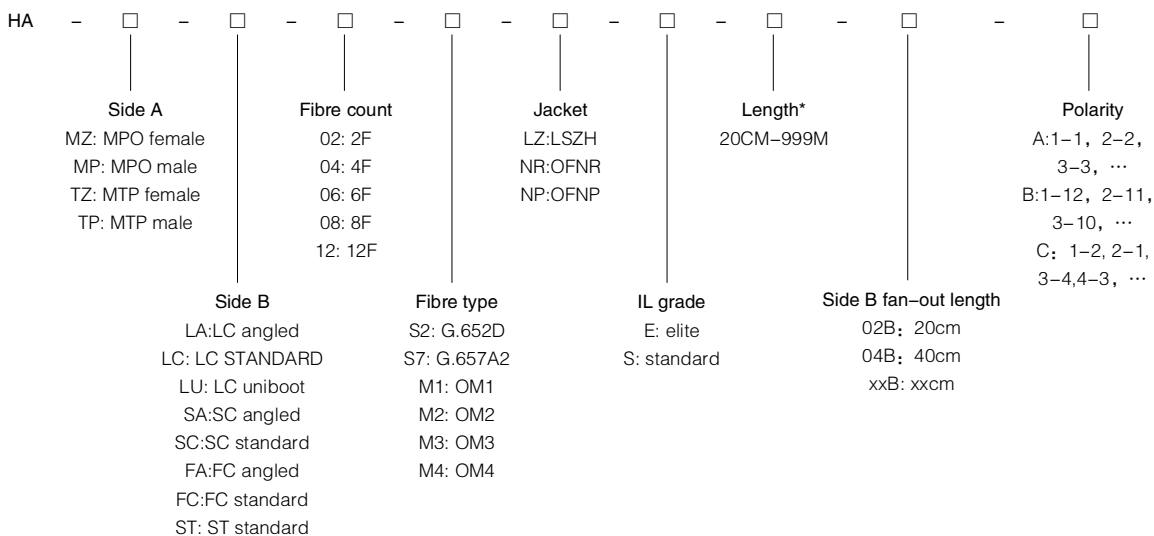
Connector Type	IL(dB)	500times Durability	Δ IL(dB)	Temperature Cycling	Δ IL(dB)
MPO/MTP MM Elite	≤0.35	≤0.20	≤0.20	≤0.20	≤0.20
MPO/MTP SM Elite	≤0.35	≤0.20	≤0.20	≤0.20	≤0.20
MPO/MTP MM standard	≤0.70	≤0.20	≤0.20	≤0.20	≤0.20
MPO/MTP SM standard	≤0.70	≤0.20	≤0.20	≤0.20	≤0.20
LC MM connector	≤0.30	≤0.20	≤0.20	≤0.20	≤0.20
LC SM connector	≤0.30	≤0.20	≤0.20	≤0.20	≤0.20

Cable Performance

Fibre Type	Core/Cladding Dia. (μm)	Bandwidth (MHz · km)	Wavelength (nm)	Max. Attenuation (dB/km)
G652D	9/125	NA	1310/1550	0.36/0.22
G657A2	9/125	NA	1310/1550	0.36/0.22
OM1	62.5/125	200	850/1300	3.0/1.0
OM2	50/125	500	850/1300	3.0/1.0
OM3	50/125	2000	850/1300	3.0/1.0
OM4	50/125	4700	850/1300	3.0/1.0

Breakout Cable

Order Guide



*: Cable length is calculated from the end to the branch point, tolerance is +2m/0m

Example: HA-MP-LU-12-M3-LZ-E-01M-02B-B

Product description: MPO male Harness breakout cable, the other side is LC uniboot connector, 12cores, OM3 fibre, LSZH jacket, fan-out length 0.2m, cable length 1m